

**Features**

- Universal Input Voltage 90-264 VAC, 130-370 VDC, 47-63 Hz
- Internal EMI filter
- Input connector mates with Molex housing 09-50-3051 and Molex 2478 and 2578 series crimp terminal
- Output connector mates with Molex housing 09-50-3131 and Molex 2478 and 2578 series crimp terminal
- Input Surge current, over voltage and over load protection
- Power factor correction
- Power fail detect (optional)
- Class I Insulation
- Size : 3" x 5" x 1.28"(1U)
- Two Year Warranty



Model Number	Output Voltage	Preset Voltage <sup>1</sup>	Output Current <sup>2</sup>	Total Regulation	Max Output Power
VSBU-120-3.3	3~5 VDC	3.3 VDC	22.00~20.00 A	5%	100 W
VSBU-120-5	5~6 VDC	5 VDC	22.00~18.33 A	5%	110 W
VSBU-120-7.5	6~9 VDC	7.5 VDC	19.16~12.77 A	5%	115 W
VSBU-120-9	9~11 VDC	9 VDC	13.33~10.90 A	4%	120 W
VSBU-120-12	11~13 VDC	12 VDC	10.90~9.23 A	3%	120 W
VSBU-120-15	13~16 VDC	15 VDC	9.23~7.50 A	3%	120 W
VSBU-120-18	16~21 VDC	18 VDC	7.50~5.71 A	2%	120 W
VSBU-120-24	21~27 VDC	24 VDC	5.71~4.44 A	2%	120 W
VSBU-120-30	27~33 VDC	30 VDC	4.44~3.63 A	2%	120 W
VSBU-120-36	33~40 VDC	36 VDC	3.63~3.00 A	2%	120 W
VSBU-120-48	40~50 VDC	48 VDC	3.00~2.40 A	2%	120 W

**Notes:**

- 1 Customer must specify output voltage.
- 2 Output current is limited by output power.

### Electrical Characteristics

Parameter	Test Conditions	Min.	Typ.	Max.	Unit
Input Voltage		90		264	VAC
		130		370	VDC
Input Frequency		47		63	Hz
Power Factor Correction	Full load at 90~260VAC	0.95	0.97	1.0	
Output Power Range	at 90 to 264 VAC	0		120	W
Input Current (low line)	Full load at 115VAC			1.7	A
Input Current (high line)	Full load at 230VAC			1.0	A
Low Line Inrush Current	Full load, 25°C, cool start, at 115VAC		12	15	A
High Line Inrush Current	Full load, 25°C, cool start, at 230VAC		26	30	A
Efficiency	Full load, at 230VAC	70	80	88	%
Line Regulation	Full load		0.5	1	%
Load Regulation	at 230VAC		3	5	%
Over Voltage Protection		112		132	%
Over Current Protection		110		150	%
Transient Response	Full load to Half load, at 100VAC			4	mS
Hold-Up Time	Full load, at 110VAC	16			mS
Start up time	Full load, at 100VAC	0.3	1	2	S
Ripple & Noise (Peak to Peak)	Full load, at 90VAC		0.2	1	%
Safety Ground Leakage Current	Full load, at 240VAC		0.4	0.75	mA
Temperature Coefficient	All output	-0.04		0.04	%/°C

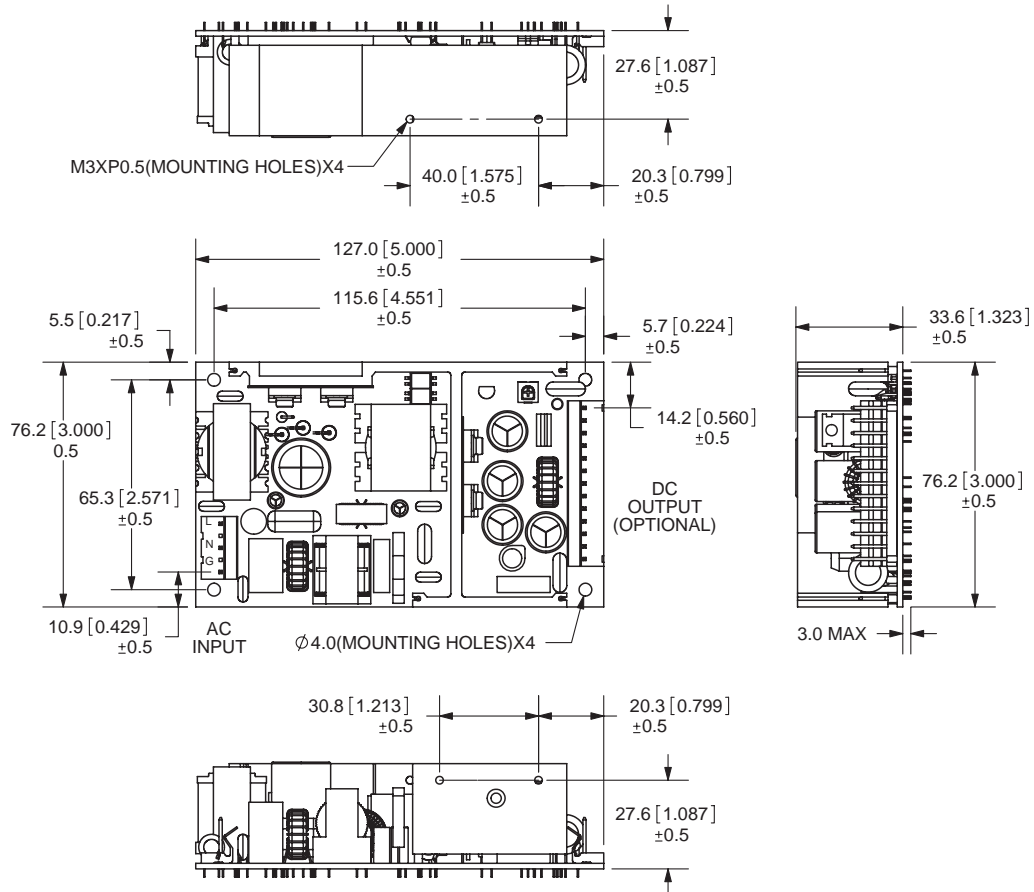
### Environmental

Parameter	Test Conditions	Min.	Typ.	Max.	Unit
Operating Temperature		0		70	°C
Storage Temperature		-40		85	°C
Relative Humidity		5		95	%
Derating	Derate linearly from 100% load at 50°C to 50% load at 70°C				

### Safety Specifications

Parameter	Test Conditions	Min.	Typ.	Max.	Unit
Dielectric withstanding voltage	Primary to secondary	4242			VDC
Dielectric withstanding voltage	Primary to ground	2121			VDC
Isolation resistance	Test voltage=500VDC	50			MΩ
EMI requirements for CISPR-22	at 220VAC	B			Class
EMI requirements for FCC part-15	at 110 VAC	B			Class

V-Infinity reserves the right to make changes to its products or to discontinue any product or service without notice, and to advise customers to verify the most up-to-date product information before placing orders. V-Infinity assumes no liability or responsibility for customer's applications using V-Infinity products other than repair or replacing (at V-I's option) V-Infinity products not meeting V-I's published specifications. Nothing will be covered outside of standard product warranty.

**Mechanical Specifications**

**Note:**

1. Dimensions are shown in mm (inches).
2. Weight: 330~380 g (approx.)
3. Input connector mates with Molex housing 09-50-3051 and Molex 2478 or 2578 series crimp terminal.
4. Output connector mates with Molex housing 09-05-3131 and Molex 2478 or 2578 series crimp terminal.

Pin	1	2	3	4	5	6	7	8	9	10	11	12	13 (optional)
Model													
VSBU-120-XX	OUT	OUT	OUT	OUT	OUT	OUT	COM	COM	COM	COM	COM	COM	PFD